

We test, You produce

B28

HIGH SPEED COMPACT LEAK TESTER FOR INDUSTRIAL QUALITY CONTROL

Without a doubt, the B28 is the smallest high-performance leak tester for battery cells and breathable membranes. One of the main advantages is that our B28 module can quickly test the cell's insulation. To ensure the best measurement conditions, the B28 has the optional capability to control filling and dumping vacuum around the part to test in a specific enclosure. You can daisy chain up to 50 modules and monitor them with a touch screen panel and our user-friendly interface: B28 control.

Specifically adapted for automatic and semi-automatic test machines, the B28 has a full range of specifications at a very competitive price.

Highlights

- COMPACT
- HIGH SPEED TESTING
- ACCURATE
- 50 MODULES NETWORK



Applications



Battery, Automotive



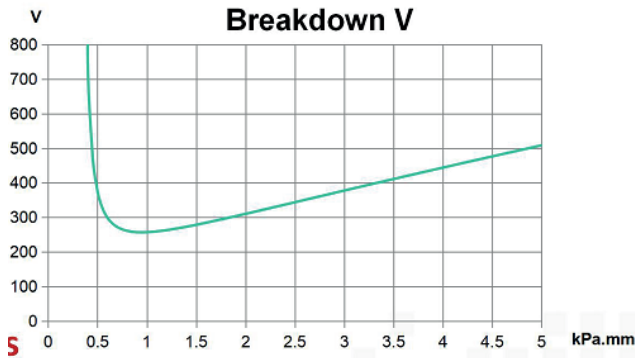
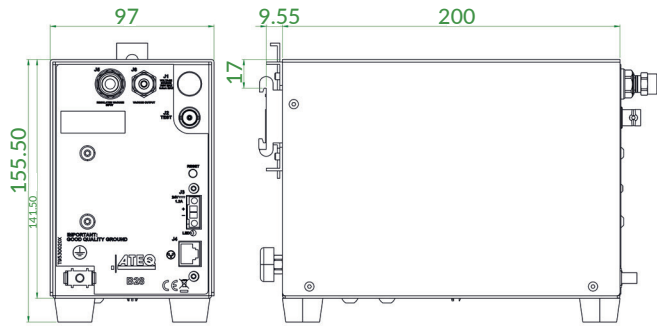
B28

HIGH SPEED COMPACT LEAK TESTER FOR INDUSTRIAL QUALITY CONTROL

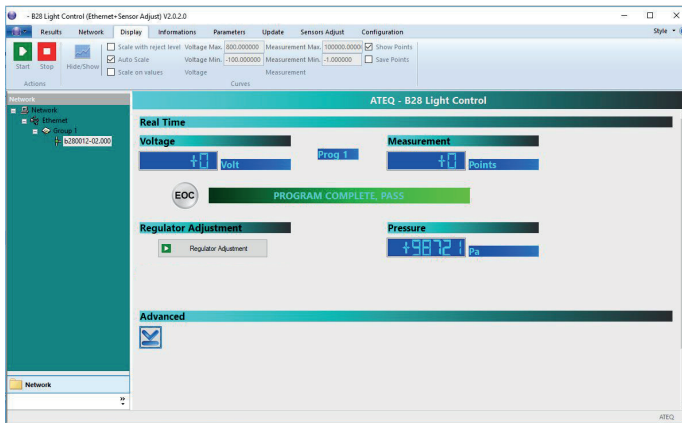
Measurement Characteristics

Test	Range*	Max. resolution
Test Voltage	50 - 750 VDC	< 1% FS
Leak	0 to 100 000 pts	
Pressure	0.5 kPa to ATM	

Accuracy: linearity + repeatability + hysteresis
*Optional laboratory accuracy available



B28 control



Main Features

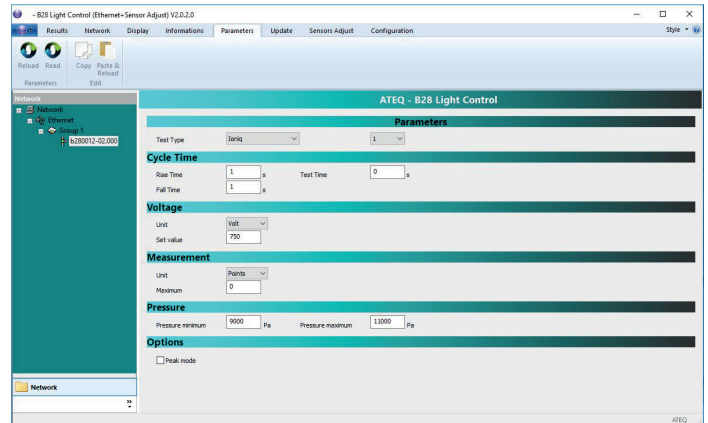
- Leak measurement using air ionization method
- (I max < 1 mA)
- Compact size
- External vacuum source
- Ethernet network up to 50 modules (Modbus IP)
- DIN rail mounting
- Environment: ROHS standard

Technical Specifications

Physical	Weight: approx 3.5 kg Dimensions: (overall (mm): H 155.5 x L 97 x D 229.55)
Electrical external supply	Voltage: 24 V DC / 1.6 A Main adapter (included): 110 – 230 VAC
Temperature	Operating: +5°C to +45°C Storage: 0°C to +60°C

Options

- Integrated fill and dump valves



ATEQ Canada Inc.
4-2355 Royal Windsor Drive Mississauga ON L5J 4S8 Canada
T.: +1 (905) 569-1813 - F.: +1 (905) 569-1813 - info@ateq.ca - ateq.ca

