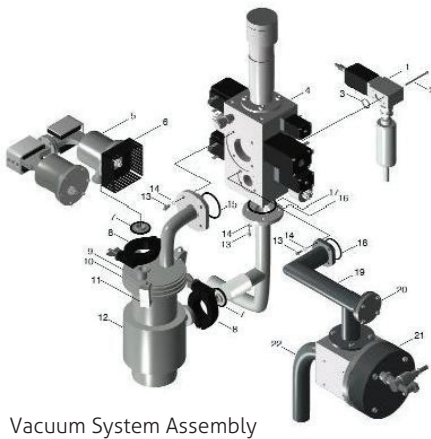


MS-50GT HIGH-SPEED PRODUCTION CONSOLE LEAK DETECTOR

The **MS-50GT** is a highly technical system that incorporates many sophisticated technologies. In view of this, every effort has been made to automate the unit's operation and maintenance procedures. The **MS-50GT** is an automated high-speed production console leak detector featuring three flow modes which provide flexibility and maximum productivity for application-specific leak testing.

BENEFITS

- High-speed production
- Three flow modes providing flexibility
- Multiple flow modes providing maximum productivity
- Application-specific leak testing
- Twice the industry average resolution
- System ready to test in less than 3-minutes



Vacuum System Assembly



Applications

Air Conditioning & Refrigeration Systems, Automotive Components, Appliances, Aerospace, Medical Devices and others



MS-50GT

HIGH-SPEED

PRODUCTION CONSOLE LEAK DETECTOR

Measurement characteristics

PERFORMANCE		
Sensitivity vacuum*	Sensitivity sniffing	Startup Time
3.0x10 ⁻¹¹ (atm-cc/sec)	10 ⁻³ ~10 ⁻⁵ (atm-cc/sec)	Less than 3 minutes

Characteristics

- Leak Measurement Range: 3.0x10⁻¹¹ to 10
- Leak Ranging: Auto/Manual
- Response Time *: <2 direct <2.5 reverse
- Resolution for 4He *: 14 at mass 4
- Gross Test, Time (with UFT Option)- 3 (100 Torr)(seconds)
- Fine Test, Time (with UFT Option)- 10 (25 mTorr, 10⁻¹⁰-10 atm-cc/sec)
- Mass Spectrometer Tube: 180° deflection; dual-magnetic sector
- Auto-tuning: Yes
- Auto-calibration: Internal – yes; External – manual
- Auto-zeroing: Yes; several zeroing functions modes for background suppression
- Reject set-point: Yes
- Built-in calibrated leak: Yes; 10⁻⁰⁸ range
- NIST traceable: Yes
- Temperature compensated: Yes
- Scan/Descan: Yes
- Filaments: 2 Long Lasting
- Testable Masses: 3 and 4
- Background Compensation: Automatic
- Maximum Operating Pressure: 7.5 fine: 100 gross
- Display/Interface: 10 (25.4) LCD flat panel display, capacitive touch-screen / Graphical User Interface (GUI)
- Units: cc/second, mbar*L/second, Pa*M3/second
- RS-232C: Yes
- Software: 50 programmable test recipes; Data Link optional

Available Models

- Dual port
- Ultrafast (UFT)
- Oil-based models
- Dry pump
- High sensitivity
- Argon Gas

Main Features

- The only production leak detector with an interactive LCD touch- screen display and GUI
- UFT mode allowing for programmable automatic test cycle operation
- UFT test cups (various sizes)
- Dual pump system – dedicated Dry Foreline and Dry Roughing Pumps
- Built-in diagnostics for trouble-free maintenance
- Simple one-button power up has systems ready to test in less than 3-minutes
- Fully automatic startup, tuning and calibration
- Starts testing at Atmospheric Pressure
- Three Flow modes provide flexibility and maximum productivity for application-specific leak testing
- Resolution of 14 at mass 2 is twice the industry average
- Password protection

Technical Specifications

Vacuum Mode	Direct, reverse or combination, gross testing
Roughing Pump	16 direct drive (cfm)
Foreline Pump	7 direct drive
High Vacuum Pump	50 -60 L/sec
Vacuum Gauging	Pirani: Test Port and Foreline/Ion: High Vacuum
Dimensions	(W x H x D): 25.75 x 30.625 x 35.25 (65.40 x 77.79 x 89.54) inch (cm)
Test Cup, UFT Option UFT(Ø x D)	Dimensions 4.5 x 1.0 (11.4 x 2.5) inch (cm)
Test Port Connection	1.125 (inches)
Weight	475 (215.45) lbs. (kg)
Power	115/50-60/30; 230-240/50-60/15; 100/50-60/30 V/Hz/A

